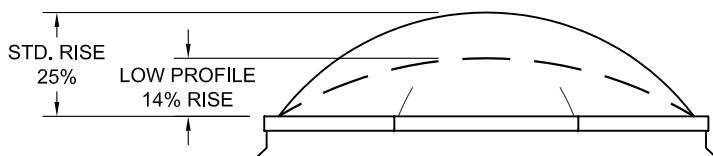


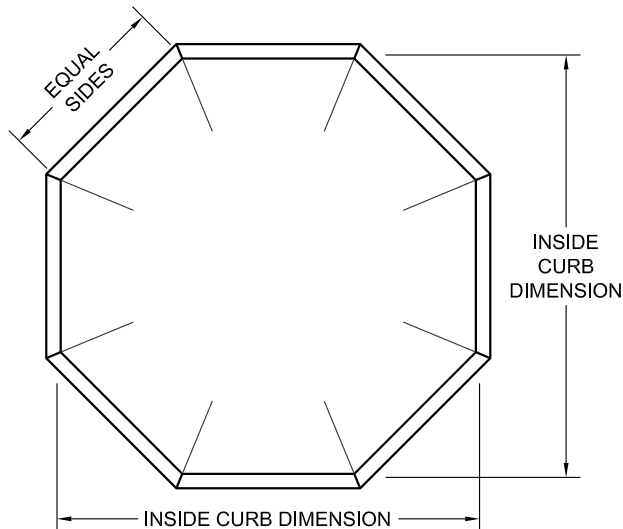
ALADDIN INDUSTRIES
SKYLIGHTS

ACRYLIC OCTAGON SKYLIGHT - DOME

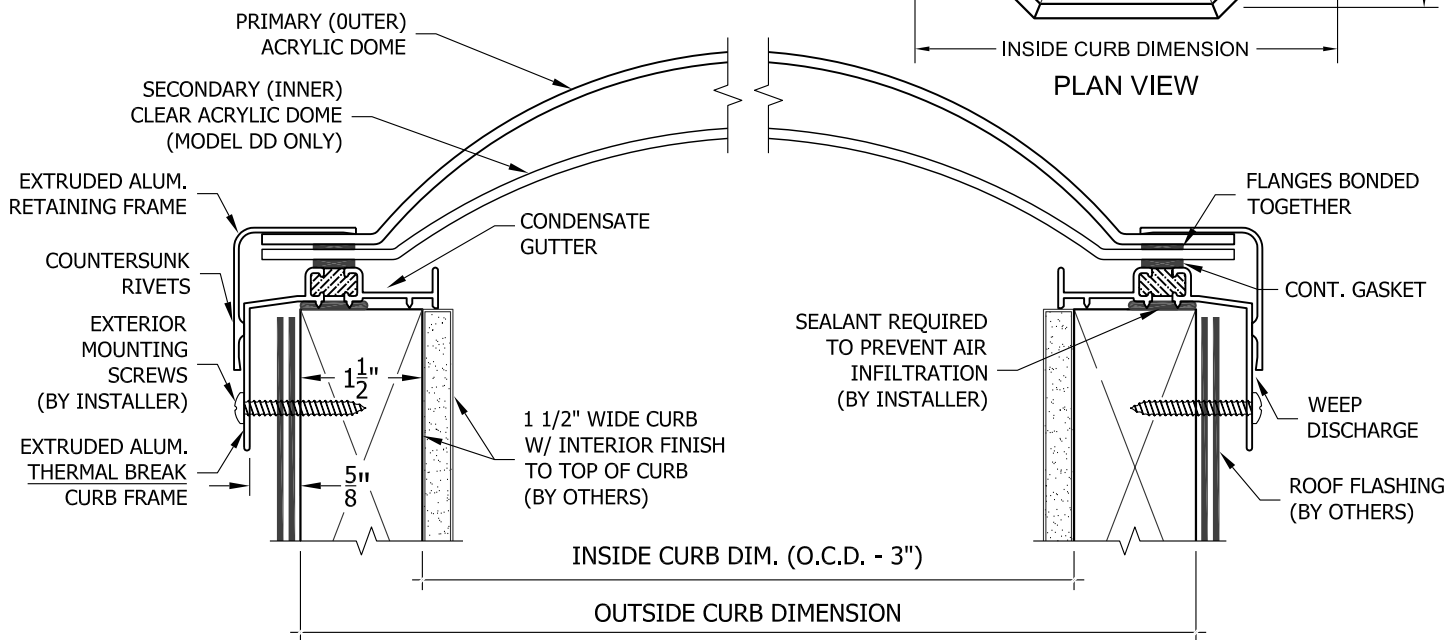
MODEL SD - SINGLE DOME
MODEL DD - DOUBLE DOME



ELEVATION VIEW



PLAN VIEW



STANDARD SIZES	
MODEL NO.	OUTSIDE CURB DIM.
-2828	25-1/2" X 25-1/2"
-3636	33-1/2" X 33-1/2"
-4242	40" X 40"
-5252	49-1/2" X 49-1/2"
-6060	58" X 58"
-7676	72-1/2" X 72-1/2"
-8080	78" X 78"
-9898	95-1/2" X 95-1/2"
CUSTOM SIZE	SPECIFY

PROJECT: _____

CONTRACTOR: _____

ARCHITECT: _____

DATE: _____ SUBMITTED BY: _____

APPROVAL SIGNATURE: _____

QTY	MODEL NO. AND INSIDE CURB DIMENSION	GLAZING	PRIMARY (OUTER)	FRAME FINISH
		<input type="checkbox"/> CLEAR <input type="checkbox"/> BRONZE TINT <input type="checkbox"/> WHITE TRANSLUCENT <input type="checkbox"/> OTHER		<input type="checkbox"/> BRONZE ANODIZED <input type="checkbox"/> CLEAR ANODIZED <input type="checkbox"/> NATURAL ALUMINUM (MILL) <input type="checkbox"/> PAINTED