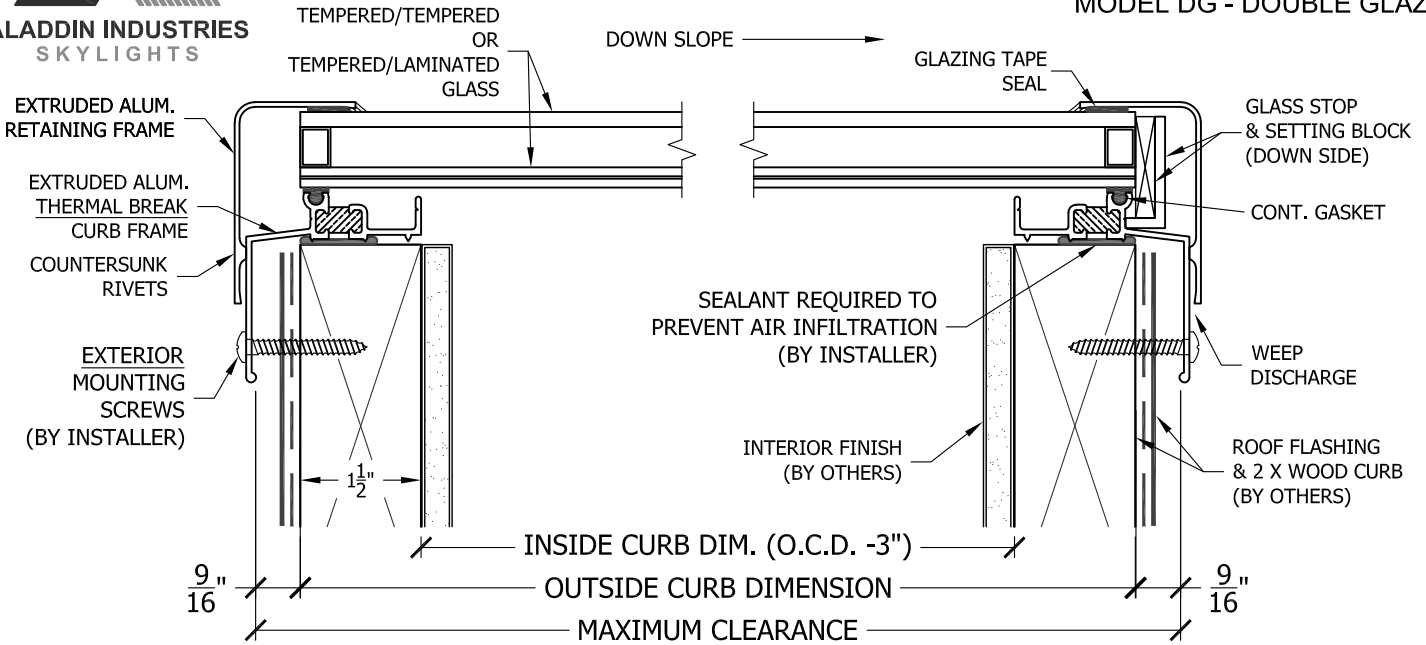


ALADDIN INDUSTRIES
SKYLIGHTS

GLASS CURB MOUNTED SKYLIGHT PITCHED ROOFS

MODEL SG - SINGLE GLAZED
MODEL DG - DOUBLE GLAZED



SHORT FORM SPECIFICATIONS

Curb mounted skylights shall be Model SG (Single Glazed) or DG (Double Glazed), as manufactured by Aladdin Industries, Inc. Consisting of an exterior tempered lite & laminated or tempered inner lite. Outer lite, specify exterior glass clear or tinted. Inner lite shall be clear unless otherwise specified. Frames shall be extruded aluminum (6063-T5) w/welded corners, condensation gutters, & continuous gasket. Finish shall be Mill, Bronze anodized, Clear anodized or Painted. Skylight is designed to be installed on a standard 1 1/2" wide curb. All units are guaranteed against defective workmanship & material and support a 40 psf live load. * Larger sizes require inner lite to be Heat Strengthened Laminated glass.

STANDARD SIZES - OUTSIDE CURB DIM.		PROJECT:
MODEL NO.	OUTSIDE CURB DIM.	PROJECT LOCATION:
-2036	17 1/2" X 33 1/2"	
-2052	17 1/2" X 49 1/2"	
-2828	25 1/2" X 25 1/2"	
-2836	25 1/2" X 33 1/2"	ARCHITECT:
-2842	25 1/2" X 37-1/2"	
-2852	25 1/2" X 49 1/2"	CUSTOMER:
-2876	25 1/2" X 72 1/2"	
-28100	25 1/2" X 98"	DATE: SUBMITTED BY:
-3636	33 1/2" X 33 1/2"	
-3652	33 1/2" X 49 1/2"	
-3676	33 1/2" X 72 1/2"	APPROVAL SIGNATURE:
-5252	49 1/2" X 49 1/2"	
CUSTOM SIZE		

QTY	MODEL NO. AND OUTSIDE CURB DIMENSION	GLAZING	FRAME FINISH
		<input type="checkbox"/> TEMPERED / TEMPERED <input type="checkbox"/> TEMPERED / LAMINATED GLASS MAKE-UP:	<input type="checkbox"/> BRONZE ANODIZED <input type="checkbox"/> CLEAR ANODIZED <input type="checkbox"/> NATURAL ALUMINUM (MILL)